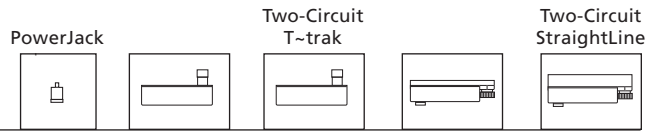


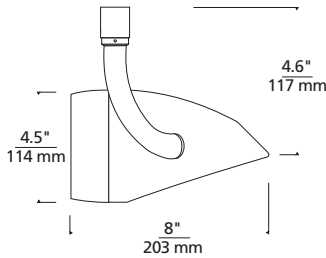
Breeze with Ceramic Metal Halide T4



ARCHITECTURAL HEAD

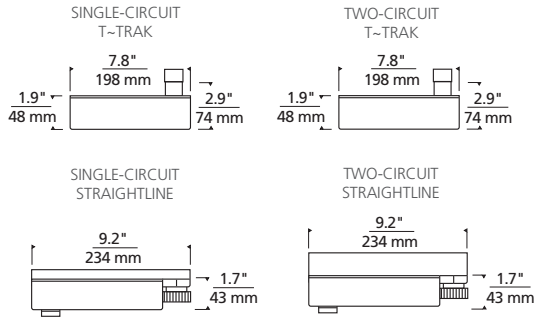


BREEZE,
SOLID LENS RING
Shown approximately 15% actual size.



System Connectors

Elements ordered with a system prefix include a connector for that system.



Lens Ring Options



DESCRIPTION

Organic shaped die cast aluminum head, pivots vertically 180°, rotates horizontally 350°. Features vertical and horizontal locking mechanisms and optional glass lens ring. Four beam spread options with specular reflector and UV filtering glass lens.

SYSTEM/FINISH

Single-Circuit T~trak, Two-Circuit T~trak and Power Jack:
Satin Nickel: satin nickel connector with satin nickel head.
White: white connector with white head.

Single-Circuit StraightLine and Two-Circuit StraightLine:
Black/Satin Nickel: black connector with satin nickel head.
White/Satin Nickel: white connector with satin nickel head.
White/White: white connector with white head.

BALLAST

Includes energy-saving electronic ballast in slim aluminum die cast housing. Input voltage 120v 50/60 hertz, THD <10%. Power Jack version is compatible with Power Jack Canopy with ballast (sold separately).

LAMP

120 volt ceramic metal halide T4.5 lamp with G8.5 base up to 70 watts (lamp not included).

PHOTOMETRIC REPORTS

- 15° 39 Watt: lv_hds_breeze_CMH_t4_15.ies
- 30° 39 Watt: lv_hds_breeze_CMH_t4_30.ies
- 45° 39 Watt: lv_hds_breeze_CMH_t4_45.ies
- 60° 39 Watt: lv_hds_breeze_CMH_t4_60.ies

LENS RING

Satin nickel or white body with amber, cobalt, frost or solid (to match finish selection) lens ring.

OPTICAL CONTROLS

Holds up to two, sold separately: Eggcrate Louver, Glass Lens, UV Filter.

WEIGHT

4.90 lb./2.22 kg. ±

700	SYSTEM	BZT4	REFLECTOR	WATTAGE	LENS RING	PJ, TT + TT2 FINISH
	PJ POWER JACK		1 15 DEGREE	2 20 WATT	A AMBER	S SATIN NICKEL
	TT SINGLE-CIRCUIT T-TRAK		3 30 DEGREE	3 39 WATT	B COBALT	W WHITE
	TT2 TWO-CIRCUIT T-TRAK		4 45 DEGREE	7 70 WATT	F FROST	
			6 60 DEGREE		S SOLID	
	SL SINGLE-CIRCUIT STRAIGHTLINE					SL + SL2 CONN/FINISH
	SL2 TWO-CIRCUIT STRAIGHTLINE					BS BLACK/SATIN NICKEL
						WS WHITE/SATIN NICKEL
						WW WHITE/WHITE



333 Buckhead Avenue
Atlanta, GA 30305-2305
phone: 404.760.1119
fax: 404.760.0797
www.clighting.com

700 _____ BZT4 _____

FIXTURE TYPE: _____

JOB NAME: _____

